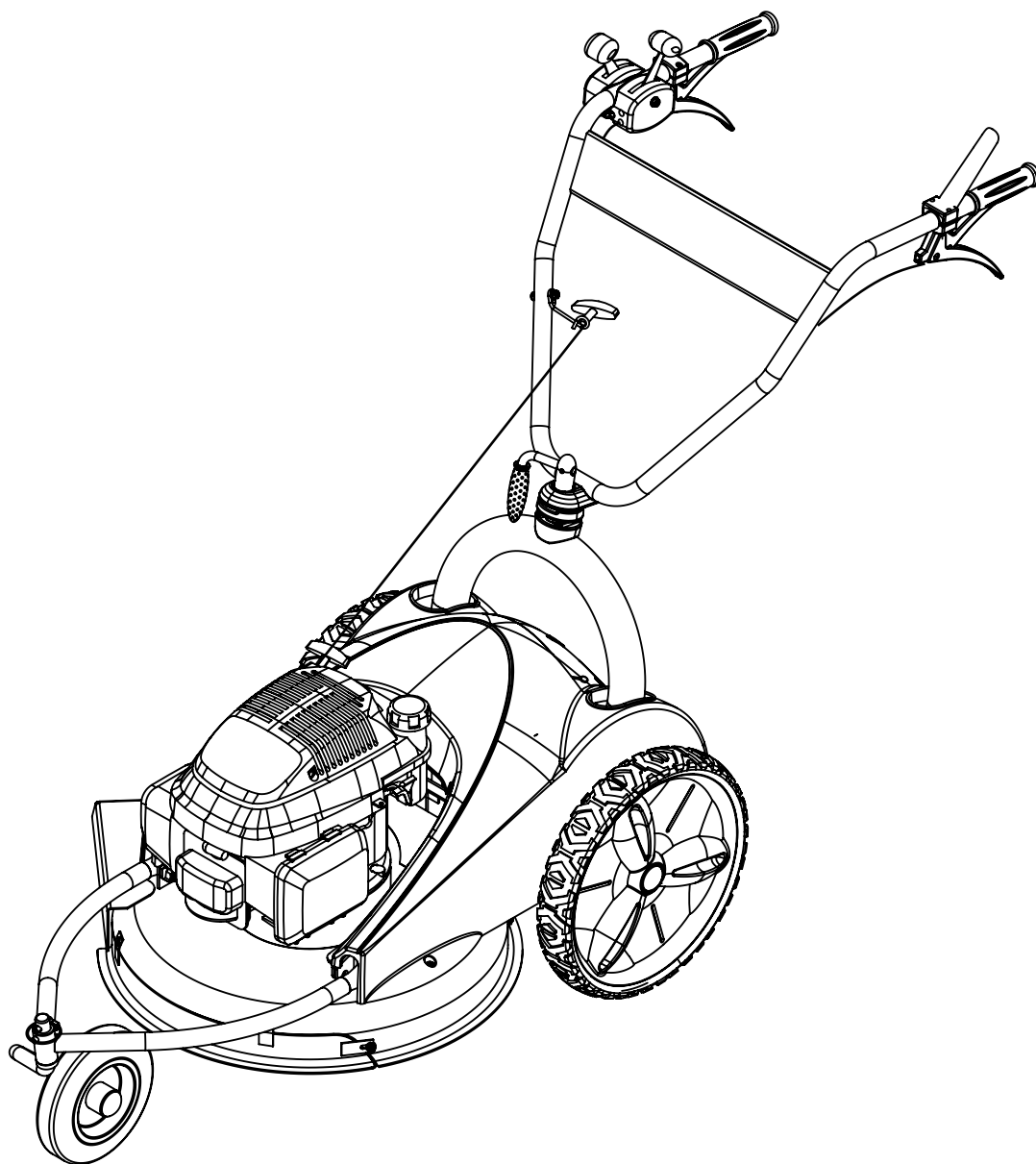
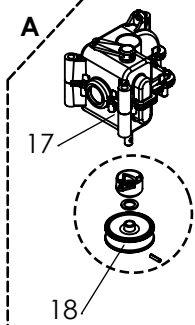
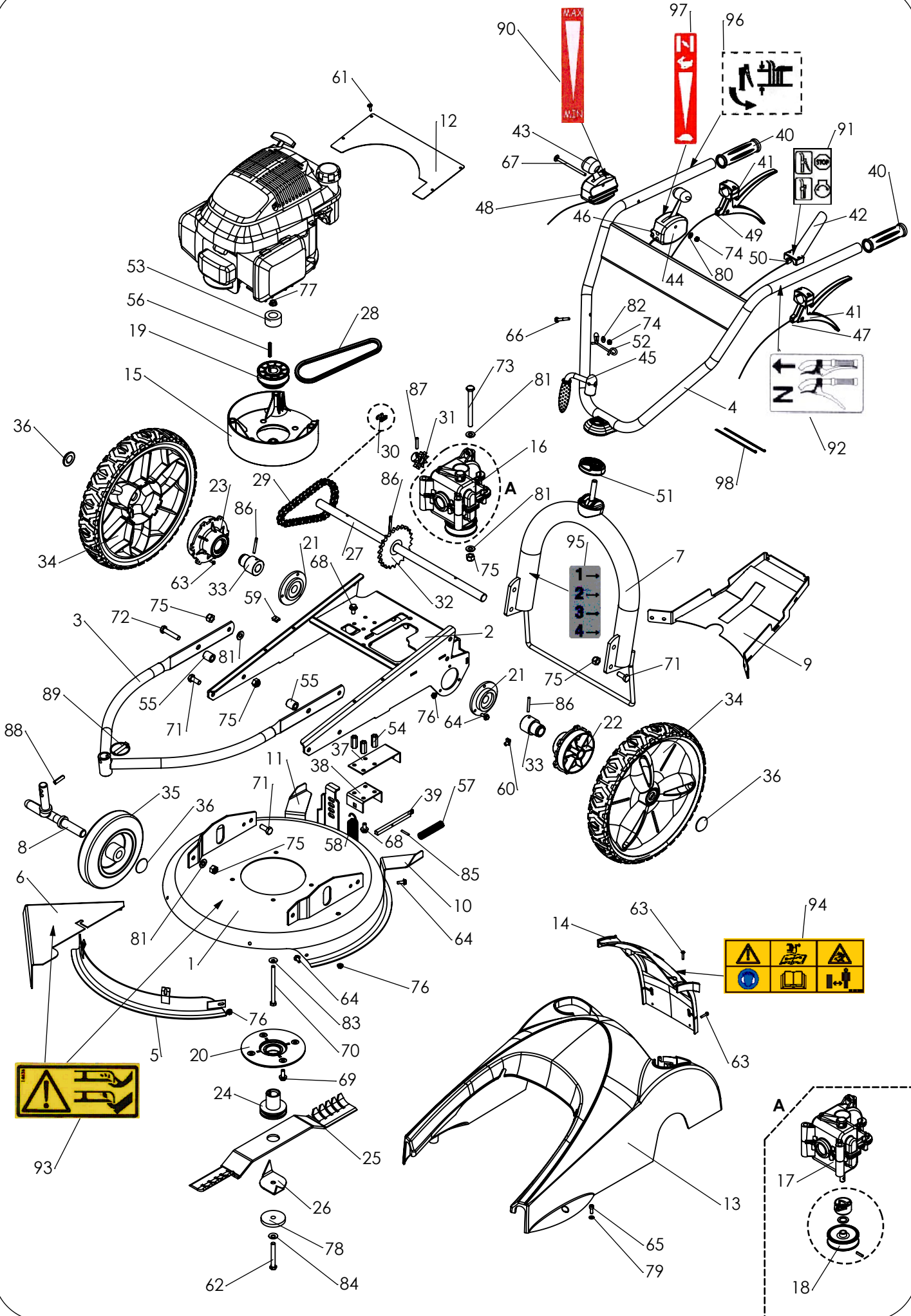


Pièces de rechange Spare parts list

ODYSSEE



*DEBROUSSAILLEUSE
BRUSHCUTTER*



Rep N°	Ref.	Désignation	Description	Qte
1	KB02021101	Coupelle Gris RAL 7040	Grey RAL 7040 blade guard	1
2	KB02021605	Châssis arrière noir RAL 9005	Black RAL 9005 rear frame	1
3	KB02021606	Châssis avant noir RAL 9005	Black RAL 9005 front frame	1
4	KB02021607	Guidon noir RAL 9005	Black RAL 9005 Handlebar	1
5	K303020003	Défecteur avant Gris RAL 7040	Grey RAL 7040 front deflector	1
6	K303020004	Défecteur latéral Gris RAL 7040	Grey RAL 7040 side deflector	1
7	KB02021602	Arceau vissé Noir	Black RAL 9005 tube frame	1
8	KB02021608	Support de roue noir RAL 9005	Black RAL 9005 wheel support	1
9	KB02021603	Support capot + protection Noir RAL 9005	Black RAL 9005 support engine bonnet + protective cover	1
10	KB02020202	Renfort capot Arr gauche	Left carter holding sheet	1
11	KB02020201	Renfort capot Arr droit	Right carter holding sheet	1
12	KB02021609	Tôle de protection courroie	Black RAL 9005 cover belt	1
13	K340000041	Capot moteur rouge RAL 3001	Red RAL 3001 engine bonnet	1
14	K340000042	Trappe de visite rouge RAL 3001	Red RAL 3001 inspection hatch	1
15	K340000025	Rehausse plastique Noir	Plastic engine raiser	1
16	K306040020	Réducteur	Gearbox	1
17	K306040019	Réducteur (sans variateur de vitesse)	Gear box (without variable speed transmission)	1
18	K306040021	Kit poulie variatrice VIC1	Kit variation motor pulley	1
19	K306040022	Poulie variatrice moteur	variation engine pulley	1
20	K340000026	Palier coupelle	Blade guard hub	1
21	K306010003	Palier arbre de roue Ø20	Wheel axle bearing	2
22	K340000035	Palier roue libre gauche	Left ratchet wheel hub	1
23	K340000036	Palier roue libre droit	Right ratchet wheel hub	1
24	K302030082	Moyeu de lame	Blade hub	1
25	K320020019	Lame	Blade	1
26	KB02020203	Coupe filandreux	Stringy cutter	1
27	K302010082	Arbre de roue	Wheel shaft	1
28	K306030044	Courroie 11x6.5x856 LE	Belt 11x6.5x856 LE	1
29	K306020016	Chaine 12.7 (35 maillons + AR + MC)	Chain 12.7 (35 chain link + CL + OL)	1
30	K003030005	Attache rapide (12.7)	Connecting link (pitch 12.7)	1
31	K306050023	Pignon 9 dts pas 12.7 ales 15	Sprocket 9 teeth 12.7 Ø15	1
32	K306050024	Pignon 23 dts pas 12.7 ales Ø20	Sprocket 23 teeth 12.7 Ø20	1
33	K302010081	Moyeu roue	Wheel hub	2
34	K309000028	Roue arrière	Rear wheel	2
35	K309000035	Roue av. Ø200 ales. 20	Front wheel Ø200	1
36	K300702001	Enjoliveur Ø20	Trim stropper Ø20	3
37	KB02020204	Support verrouillage basculeur	Support locking raising	1
38	K303020009	Support axe basculeur	Locking pin support	1
39	K302010056	Axe de relevage	Locking pin	1
40	K307020017	Poignée plastique Ø25	Hand side grip Ø25	2
41	K307010019	Levier Mag Ø22 et Ø25	Lever Mag Ø22 et Ø25	2
42	K307010020	Levier frein moteur	Engine brake lever	1
43	K307020012	Manette variation de vitesse	Speed variation lever	1
44	K307020011	Manette de gaz	Throttle lever	1
45	K300801201	Poignée serrage guidon femelle	Handlebar tightening lever	1
46	K308040015	Câble de gaz	Throttle cable	1
47	K308010023	Câble d'embrayage avancement	Foward clutch cable	1
48	K308010024	Câble de vitesse	Gear cable	1
49	K308030002	Câble de réglage hauteur	Height setting cable	1
50	K308020031	Câble frein de lame	Engine brake cable	1
51	K303000016	Secteur cranté guidon	Filler piece	1
52	K305000022	Acccroche lanceur	Starter hook	1
53	K302020088	Entretoise 40x22x22	Spacer 40x22x22	1
54	K302020084	Entretoise Hexa M8 x 30	Spacer M8x30	3
55	K302020083	Entretoise 20 x 10.5 x 23	Spacer 20x10.5x23	2
56	K301040002	Clavette 4.76x4.76x37	Key 4.76x4.76x40	1
57	K305020001	Ressort CP 15x75x16/10 galva	Locking spring 15x75x16/10	1
58	K305010002	Ressort TR relevage	High adjustment spring	1
59	K300230401	Clips 4.2	Clips 4.2	4
60	K300230402	Clip Ejot easy 4x4x9	Easy clip Ejot	2
61	K300070401	Vis Tôle 4.2x19	Screw 4.2x19	4
62	K300060301	Vis 3/8 TH24 UNF Lg70	ScREW 3/8 TH24 UNF Lg70	1
63	K300090403	Vis WN 1451 K 40x20 Torx	Screw WN 1451 K40x20	16
64	K300010601	Vis HM6x16 z emb cr	Screw H M6x16 z notched shoulder	14
65	K300020603	Vis CHC M6x16 z	Screw CHC M6x16	2
66	K300010621	Vis HM6x35	Screw H M6x35	1
67	K300080604	Vis TBCC M6x95	Screw TBCC M6x95	1

Rep N°	Ref.	Désignation	Description	Qte
68	K300010830	Vis HM 8x16 z emb cr	Screw H M8x16 notched shoulder	6
69	K300010802	Vis HM 8x20 z emb cr	Screw H M8x20 notched shoulder	4
70	K300010833	Vis HM 8x110z	Screw H M8x110	4
71	K300011009	Vis H M10x25z	Screw H M10x25	8
72	K300011012	Vis H M10x50	Screw H M10x50	2
73	K300011031	Vis H M10x110z	Screw H M10x110	3
74	K300210601	Ecrou frein M6 z	Blocking nut M6	2
75	K300211001	Ecrou frein M10 z	Blocking nut M10	13
76	K300260601	Ecrou HM6 z emb cr	Nut H M6 notched shoulder	16
77	K300260801	Ecrou HM8 z emb cr	Nut H M8 notched shoulder	4
78	K302020047	Rondelle de serrage	Blade washer	1
79	K300400603	Rondelle M6x12x1.2 z	Washer M6x12x1.2	2
80	K300400602	Rondelle M6x14x1.2 z	Washer M6x14x1.2	1
81	K300401001	Rondelle M10x22x2 z	Washer M6x14x1.2	8
82	K300430601	Rondelle contact 6 Bic	Elastic washer 6	1
83	K300430801	Rondelle contact 8	Contact washer 8	4
84	K300431001	Rondelle contact 10 Bic	Elastic washer 10	1
85	K301090001	Goupille Ø4x24 HBK	Cotter pin 4x24	1
86	K301090007	Goupille Ø5x40 HBK	Pin Ø5x40	3
87	K301090008	Goupille Ø6x30 HBK	Cotter pin 6x30	1
88	K301020008	Goupille méca 8x30	Cotter pin 8x30	1
89	K301050001	Goupille clips 8x40	cotter pin 8x40	1
90	K503000054	Etiquette variation vitesse	Speed variation label	1
91	K503000044	Etiquette frein moteur	Engine brake label	1
92	K503000040	Etiquette d'avancement Mav	Forward movement stricker	1
93	K503000030	Etiquette "danger lame"	Label "danger sticker"	1
94	K503000029	Etiquette précaution d'emploi	Safety instruction label	1
95	K503000035	Etiquette position coupe	Cutting setting label	1
96	K503000051	Etiquette réglage coupe	Height cutting label	1
97	K503000036	Etiquette gaz	Label throttle control	1
98	K301060002	Collier polya	Collar	2