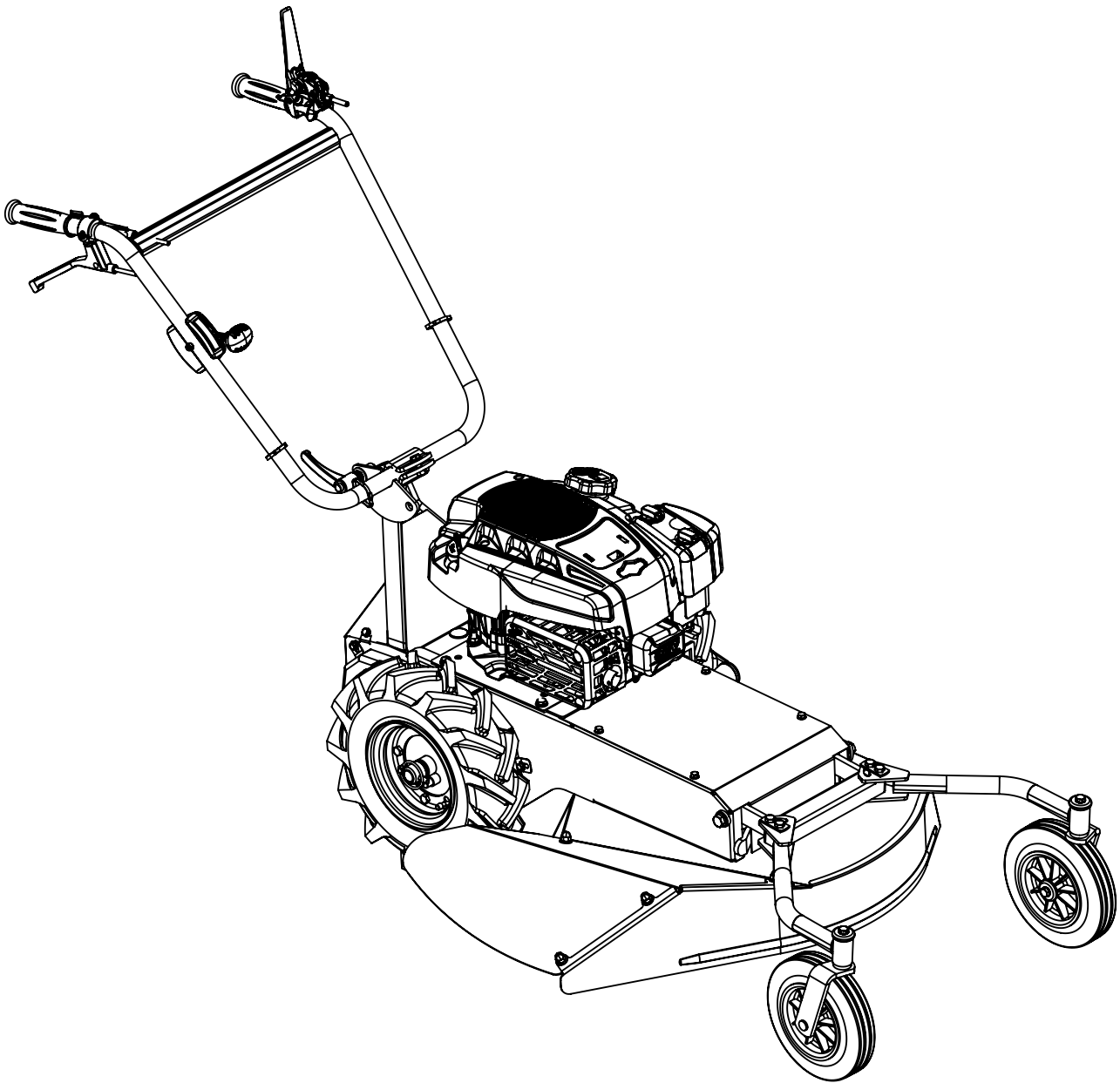
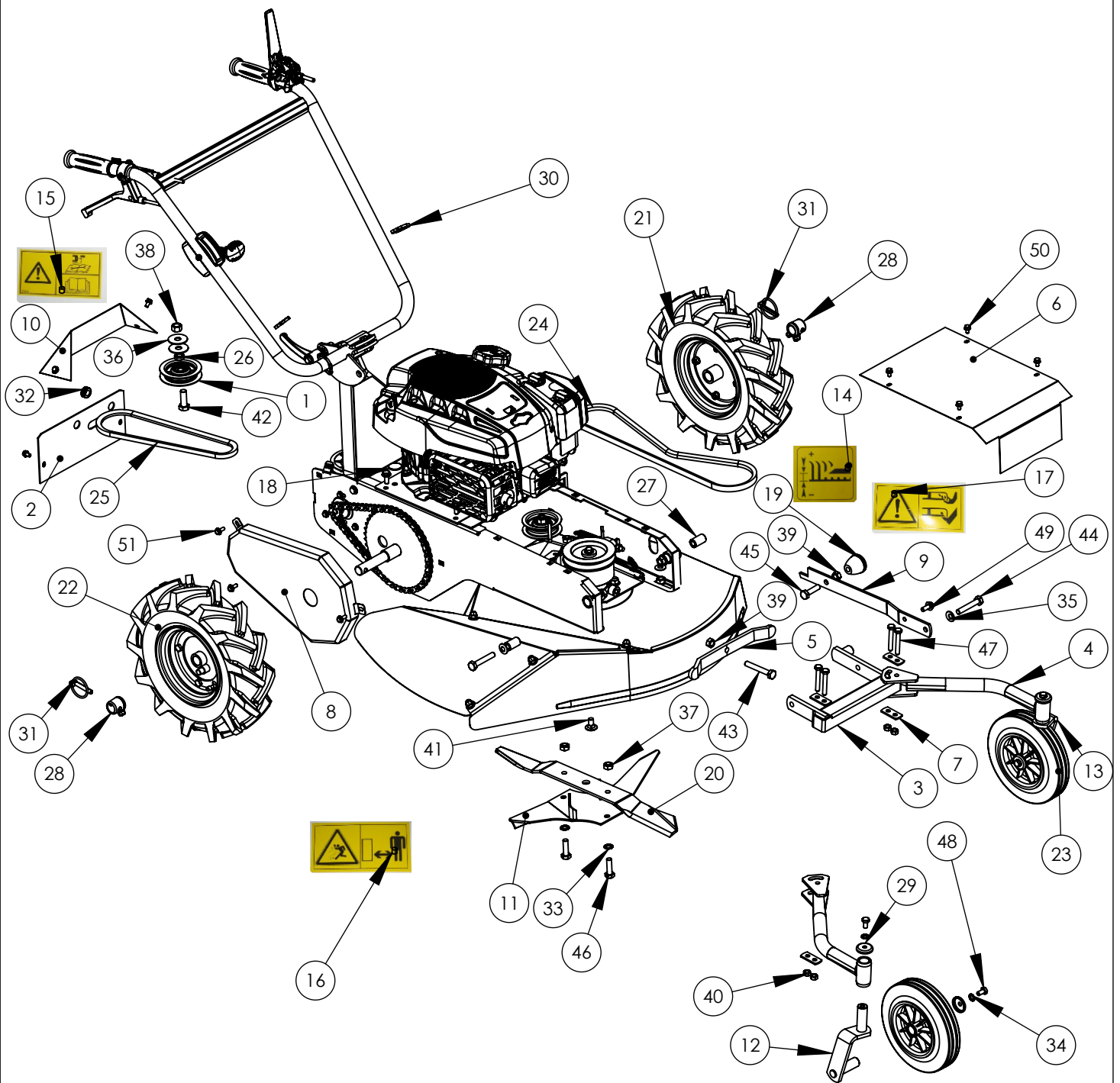


Pièces de rechange Spare parts list

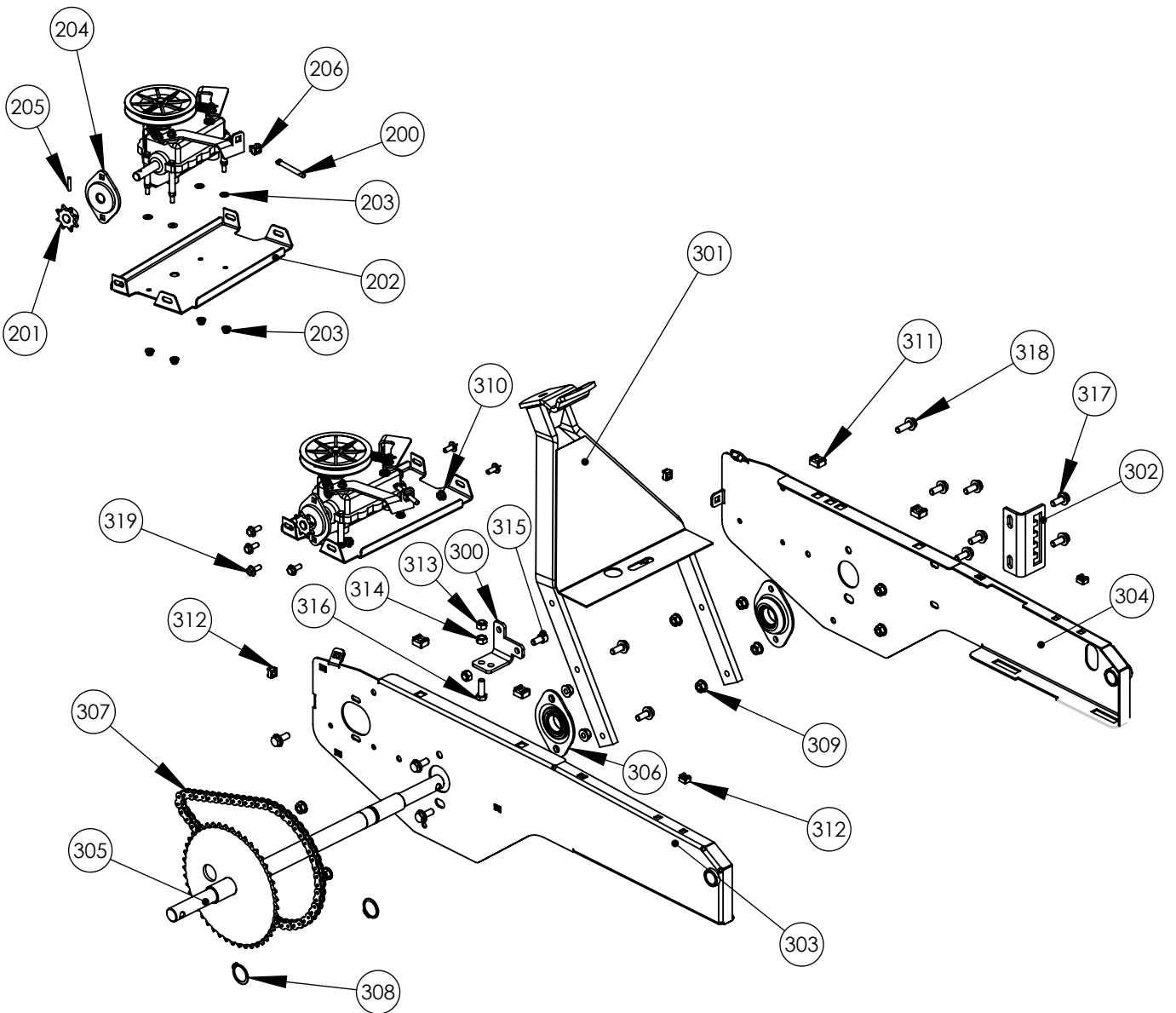
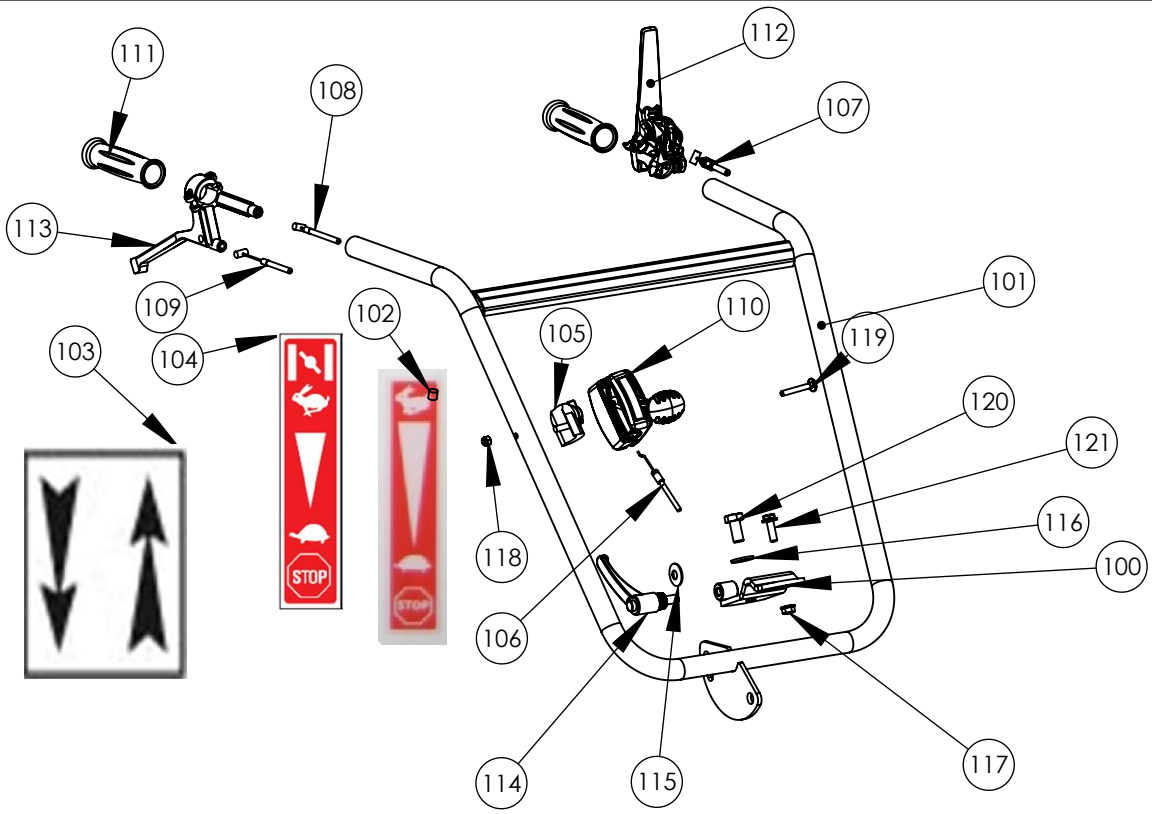
KE0002****



***FAUCHEUSE BROYEUSE
BRUSH CUTTER***



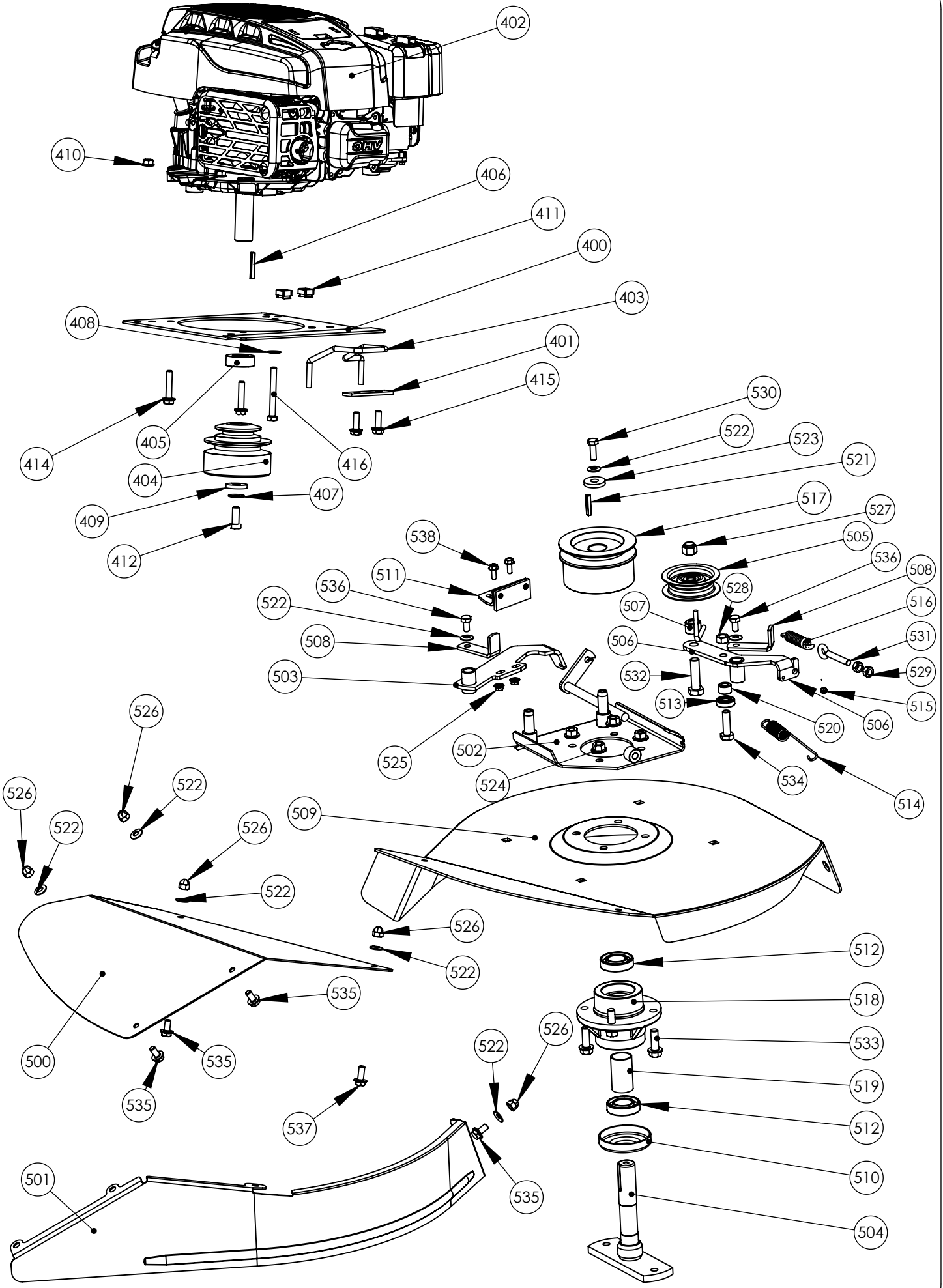
| Rep N° | Ref. | Désignation | Description | Qté |
|--------|-------------|---------------------------------------|---------------------------------------|-----|
| 1 | KE03010003 | GALET GORGE PLATE 19 mm | RUNNER 19 mm | 1 |
| 2 | KE02021606 | CAPOT INF ARR NOIR | BLACK REAR LOW CARTER | 1 |
| 3 | KE02021402 | ENSEMBLE SOUDE TRAIN AVANT GRIS FONCE | DARK GREY FRONT CHASSIS | 1 |
| 3 | KE02021102 | ENSEMBLE SOUDE TRAIN AVANT GRIS CLAIR | LIGHT GREY FRONT CHASSIS | 1 |
| 4 | KE02021401 | PORTE ROUE AVANT GRIS FONCE | DARK GREY FRONT WHEEL SUPPORT | 2 |
| 4 | KE02021101 | PORTE ROUE AVANT GRIS CLAIR | LIGHT GREY FRONT WHEEL SUPPORT | 2 |
| 5 | KE02020802 | TENDEUR DE COUPOLE JAUNE | YELLOW PLATE FOR BLADE GUARD | 1 |
| 5 | KE02010603 | TENDEUR DE COUPOLE ROUGE | PLATE FOR BLADE GUARD | 1 |
| 6 | KE02020801 | CAPOT AVANT JAUNE | YELLOW FRONT CARTER | 1 |
| 6 | KE02020601 | CAPOT AVANT ROUGE | RED FRONT CARTER | 1 |
| 7 | KE02020201 | PLAQUE SUPPORT PORTE ROUE | PLATE FOR FRONT WHEEL SUPPORT | 4 |
| 8 | KE02011619 | CARTER DE CHAINE NOIR | BLACK CHAIN CARTER | 1 |
| 9 | KE02011612 | LEVIER DE RELEVAGE NOIR | WORK LEVEL SELECTION TOOL | 1 |
| 10 | KE02011604 | CAPOT ARR SUP NOIR | BLACK HIGH REAR CARTER | 1 |
| 11 | KE02011603 | EJECTEUR NOIR | VENTILATING PLATE | 1 |
| 12 | KE02010206 | CHAPE ROUE DROITE ZN | RIGHT AXLE FRONT WHEEL | 1 |
| 13 | KE02010202 | CHAPE DE ROUE GAUCHE ZN | LEFT AXLE FRONT WHEEL | 1 |
| 14 | K503000023- | AUTOCOLLANT HAUTEUR DE COUPE | STICKER "WORK LEVEL" | 1 |
| 15 | K503000015- | AUTOCOLLANT LIRE LA NOTICE | STICKER " READ THE MANUAL BEFORE USE" | 1 |
| 16 | K503000003- | AUTOCOLLANT DISTANCE DE SECURITE | STICKER "SECURITY DISTANCE" | 1 |
| 17 | K503000002- | AUTOCOLLANT DANGER SECTIONNEMENT | STICKER "CAUTION : CUTTING PARTS" | 1 |
| 18 | K341000005 | CAPSULE PLASTIQUE | PLASTIC CAP | 1 |
| 19 | K341000003 | BOULE PLASTIQUE 40 * 10 NOIRE | BLACK PLASTIC BALL 40 * 10 | 1 |
| 20 | K320020010 | LAME DE 53 CM | BLADE | 1 |
| 21 | K309000026 | CHAMBRE A AIR DE 350 | AIR TUBE | 2 |
| 21 | K309000024 | ROUE DE 350 GAUCHE | LEFT BACK WHEEL | 1 |
| 21 | K309000002 | PNEU DE 350 | TYRE | 2 |
| 22 | K309000019 | ROUE DE 350 DROITE | RIGHT BACK WHEEL | 1 |
| 23 | K309000008 | ROUE DE 200 | FRONT WHEEL | 2 |
| 24 | K306030027 | COURROIE DE LAME | BLADE V-BELT | 1 |
| 25 | K306030014 | COURROIE Z MBL 25.5 | V-BELT Z MBL 25.5 | 1 |
| 26 | K302020023 | ENTRETOISE 20 x 12.2 x 5.5 ZN | SPACER 20 x 12.2 x 5.5 ZN | 1 |
| 27 | K302020017 | ENTRETOISE ARTICULATION | ROUND SPACER | 2 |
| 28 | K302000005 | BUTEE D'ENTRAINEMENT DE ROUE | 3/4 TURN NUT | 2 |
| 29 | K302000001 | RONDELLE PROTECTION AXE ROUE AVANT | PROTECT WASHER | 4 |
| 30 | K301060001 | COLLIER PLASTIQUE | COLLAR | 3 |
| 31 | K301050001 | CLIPS DE 8 x 40 | CIRCLIPS 8 X 40 | 2 |
| 32 | K301000005 | PASSE FIL | WIRE PROTECT | 2 |
| 33 | K300441001 | RONDELLE EVENTAIL AZ 10 ZN | WASHER AZ 10 ZN | 2 |
| 34 | K300440801 | RONDELLE AZ 8 | WASHER AZ 8 | 4 |
| 35 | K300431001 | RONDELLE CONTACT M 10 | WASHER M10 | 8 |
| 36 | K300401204 | RONDELLE PLATE 40 x12.5 x 2.5 ZN | PLATE WASHER 40 x 12.5 x 2.5 ZN | 2 |
| 37 | K300211001 | ECROU FREIN M10 | BLOCKING NUT M10 | 2 |
| 38 | K300201201 | ECROU HU M12 ZN | NUT HU M12 ZN | 1 |
| 39 | K300201001 | ECROU HU M10 | NUT HU M10 | 8 |
| 40 | K300200801 | ECROU HU M8 | NUT HU M8 | 4 |
| 41 | K300081002 | BOULON TRCC 10 x 20 | SCREW TRCC 10 x 20 | 4 |
| 42 | K300011205 | VIS TH 12 x 35 ZN | SCREW TH 12 X 35 ZN | 1 |
| 43 | K300011014 | VIS TH 10 x 70 ZN | SCREW TH 10 X 70 ZN | 1 |
| 44 | K300011013 | VIS TH 10 x 60 ZN | SCREW H 10 X 60 | 2 |
| 45 | K300011011 | VIS HM 10 x 40 | SCREW H 10 X 40 | 1 |
| 46 | K300011010 | VIS HM 10 x 35 | SCREW HM 10 x 35 | 2 |
| 47 | K300010824 | VIS H 8 x 55 | SCREW H 8 X 55 | 4 |
| 48 | K300010814 | VIS H M8 x 16 | SCREW H M8 X 16 | 4 |
| 49 | K300010802 | VIS EMB CR 8 x 20 | SCREW H NOTCHED SHOULDER 8 X 20 | 5 |
| 50 | K300010617 | VIS H 6 x 10 EMB CR | SCREW H 6 X 10 NOTCHED SHOULDER | 8 |
| 51 | K300010601 | VIS H 6 x 16 EMB CR | SCREW H NOTCHED SHOULDER 6 X 16 | 3 |



| Rep N° | Ref. | Désignation | Description | Qté | |
|--------|-------------|--|--|-----|----------------------|
| 100 | KE02011617 | PLAQUE SERRAGE MANCHERON | HANDLEBAR CLAMP PLATE | 1 | |
| 101 | KE02011109 | MANCHERON GRIS ALU | GREY ALU HANDLEBAR | 1 | |
| 101 | KE02010801 | MANCHERON JAUNE | YELLOW HANDLEBAR | 1 | |
| 102 | K503000031- | AUTOCOLLANT ACCELERATEUR STOP SANS STARTER | STICKER "ENGINE SPEED VARIATION" WITHOUT STARTER | 1 | BS 850 SERIES |
| 103 | K503000011- | AUTOCOLLANT INVERSION MARCHE | STICKER "SPEED INVERSION" | 1 | |
| 104 | K503000005- | AUTOCOLLANT ACCELERATEUR STOP + STARTER | STICKER "SPEED VARIATION" WITH STARTER | 1 | KAWA / HONDA SUBARU |
| 105 | K330030202- | SWITCH MOTEUR SUBARU | SWITCH SUBARU ENGINE | 1 | |
| 106 | K308040011 | CABLE COMMANDE DES GAZ | THROTTLE CABLE | 1 | KAWA-GSV190-GVX200VL |
| 106 | K308040012 | CABLE COMMANDE DES GAZ | THROTTLE CABLE | 1 | B&S850 |
| 107 | K308020011 | CABLE EMBR DE LAME | BLADE CLUTCH CABLE | 1 | |
| 108 | K308010013 | CABLE EMBR AR ORION R | REVERSE CLUTCH CABLE | 1 | |
| 109 | K308010011 | CABLE EMBR AVANCE | FORWARD SPEED CLUTCH CABLE | 1 | |
| 110 | K307020010 | POIGNEE GAZ | THROTTLE LEVER | 1 | |
| 111 | K307020005 | POIGNEE CAOUTCHOUC DIAM 25 | GRIP | 2 | |
| 112 | K307010014 | LEVIER AVEC SECURITE | BLADE CLUTCH LEVER | 1 | |
| 113 | K307010011 | LEVIER DOUBLE | DOUBLE LEVER | 1 | |
| 114 | K307010006 | POIGNEE DEBRAYABLE M10 | HANDLE FOR HANDLEBAR LEVEL SELECTION | 1 | |
| 115 | K300431002 | RONDELLE CONTACT LARGE DE 10 | WASHER D 10 | 1 | |
| 116 | K300401201 | RONDELLE PLATE 27 x 12.5 x 2.5 | WASHER 27 x 12.5 x 2.5 | 1 | |
| 117 | K300260801 | ECROU H M8 EMB CR | NUT H M8 NOTCHED SHOULDER | 1 | |
| 118 | K300210601 | ECROU FREIN H M6 | BLOCKING NUT M6 | 1 | |
| 119 | K300080603 | BOULON TRCC 6 x 45 | SCREW TRCC 6 X 45 | 1 | |
| 120 | K300011204 | VIS TH 12 x 25 ZN | SCREW TH 12 X 25 ZN | 1 | |
| 121 | K300010801 | VIS H EMB CR 8 x 25 | SCREW H NOTCHED SHOULDER 8 X 25 | 1 | |

| Rep N° | Ref. | Désignation | Description | Qté | |
|--------|------------|----------------------------------|----------------------------|-----|--|
| 200 | KE04010018 | VIS DE BIELETTE EMBRAY.BOTIER | CLUTCH SCREW | 1 | |
| 201 | KE04010011 | PIGNON 8 DENTS | SPROCKET 8 TEETH | 1 | |
| 202 | KE02021605 | SUPPORT BOITIER REDUCTEUR NOIR | BLACK GEARBOX SUPPORT | 1 | |
| 203 | K306040002 | BOITIER 1 MARCHE AVT/1MARCHE ARR | FORWARD / REVERSE GEARBOX | 1 | |
| 204 | K306010010 | PALIER FLASQUE TOLE DIAM 12 | SELF-ALIGNING BEARING UNIT | 1 | |
| 205 | K301090003 | GOUPILLE ROULEE 4 x 20 | ROLLED COTTER 4 X 20 | 1 | |
| 206 | K300230602 | ECROU RAPID M6 C 4806 C | NUT RAPID M6 C 4806C | 1 | |

| Rep N° | Ref. | Désignation | Description | Qté | |
|--------|------------|--------------------------------------|---------------------------------|-----|--|
| 300 | KE02020210 | EQUERRE FIXATION CABLE MARCHE ARR ZN | REVERSE CABLE FIXATION ZINGUE | 1 | |
| 301 | KE02011618 | SUPPORT MANCHERON NOIR | BLACK HANDLEBAR SUPPORT | 1 | |
| 302 | KE02011602 | CREMAILLIERE HAUTEUR DE COUPE ZN | CUT ADJUST LEVEL RACK | 1 | |
| 303 | KE02010803 | FLANC DROIT JAUNE | YELLOW RIGHT CARTER | 1 | |
| 303 | KE02010602 | FLANC DROIT ROUGE | RED RIGHT CARTER | 1 | |
| 304 | KE02010802 | FLANC GAUCHE JAUNE | YELLOW LEFT CARTER | 1 | |
| 304 | KE02010601 | FLANC GAUCHE ROUGE | RED LEFT CARTER | 1 | |
| 305 | KE02010207 | ARBRE - PIGNON TRANSMISSION | AXLE | 1 | |
| 306 | KE01010001 | PALIER AVEC RLT. DE 25 ASSEMBLE | BEARING Ø 25 | 2 | |
| 307 | K306020005 | CHAINE 12.7 56 MAILLONS | CHAIN 12.7 56 LINKS | 1 | |
| 308 | K301070007 | CIRCLIPS EXTERIEUR DE 25 | External retaining ring 25 | 2 | |
| 309 | K300260801 | ECROU H M8 EMB CR | NUT H M8 NOTCHED SHOULDER | 12 | |
| 310 | K300260601 | ECROU H M6 Z EMB CR | NUT H M6 Z NOTCHED SHOULDER | 6 | |
| 311 | K300230801 | ECROU RAPID M8 C 4808 A | NUT RAPID M8 C 4808 A | 4 | |
| 312 | K300230601 | ECROU RAPID M 6 C 4806B | NUT RAPID M6 C 4806B | 11 | |
| 313 | K300210801 | ECROU FREIN H M8 | NUT,NYLOC M8 | 2 | |
| 314 | K300200801 | ECROU HU M8 | NUT HU M8 | 1 | |
| 315 | K300020801 | VIS CHC 8 x 16 | sCREW CHC 8 X 16 | 1 | |
| 316 | K300010817 | VIS TH 8 x 25 ZN | SCREW TH 8 X 25 ZN | 1 | |
| 317 | K300010802 | VIS EMB CR 8 x 20 | SCREW H NOTCHED SHOULDER 8 X 20 | 11 | |
| 318 | K300010801 | VIS H EMB CR 8 x 25 | SCREW H NOTCHED SHOULDER 8 X 25 | 1 | |
| 319 | K300010601 | VIS H 6 x 16 EMB CR | SCREW H NOTCHED SHOULDER 6 X 16 | 6 | |



| Rep N° | Ref. | Désignation | Description | Qty | |
|--------|-------------|---------------------------------------|----------------------------------|-----|---------------|
| 400 | KE02021602 | SUPPORT MOTEUR KAWA NOIR | BLACK KAWA ENGINE SUPPORT | 1 | KAWA |
| 400 | KE02021607 | SUPPORT MOTEUR HONDA NOIR | BLACK HONDA ENGINE SUPPORT | 1 | HONDA |
| 400 | KE02021601 | SUPPORT MOTEUR B&S NOIR | BLACK B&S ENGINE SUPPORT | 1 | BS / SUBARU |
| 401 | KE02020211 | PLAT FIXATION PLAQUE DE DEB FIL LASER | BELT GUIDE PLAT FIXATION | 1 | |
| 402 | K330030106- | MOTEUR SUBARU EA190V* | SUBARU ENGINE EA190V* | 1 | |
| 402 | K330050101 | MOTEUR KAWASAKI FJ180 V* | KAWASAKI FJ180 V ENGINE* | 1 | |
| 402 | K330010104 | MOTEUR HONDA GSV190 SANS FREIN* | ENGINE HONDA GSV190 | 1 | |
| 402 | 0330011052 | HONDA GCVx200 xNOIRx Vol Lourd | | 1 | |
| 402 | 0330021039 | BS850 SERIES | | 1 | |
| 403 | K305030002 | PLAQUE DE DEBRAYAGE | CLUTCH PLATE | 1 | |
| 404 | K302030024 | POULIE MOTEUR | MOTOR PULLEY | 1 | |
| 405 | K302020031 | ENTRETOISE POULIE MOTEUR HONDA | ROUND SPACER FOR ENGINE PULLEY | 1 | HONDA |
| 406 | K301040002 | CLAVETTE B.DROIT 4.76 x 4.76 x 37 | KEY 4.76 X 4.76 X 37 | 1 | |
| 407 | K300431001 | RONDELLE CONTACT M 10 | WASHER M10 | 5 | |
| 408 | K300430801 | RONDELLE CONTACT M8 | WASHER M8 | 1 | BS 850 SERIES |
| 409 | K300401103 | RONDELLE PLATE 30 x 11 x 5 ZN | WASHER 30 X 11 X 5 ZN | 1 | |
| 410 | K300260801 | ECROU H M8 EMB CR | NUT H M8 NOTCHED SHOULDER | 4 | HD / BS / SUB |
| 411 | K300230802 | ECROU ' RAPID' DE 8 C4808 B | NUT RAPID M8 C 4808B | 2 | |
| 412 | K300060302 | VIS TH3/8 UNF1 ZING | SCREW TH 3/8 UNF1 ZN | 1 | |
| 413 | K300021004 | VIS CHC 10 x 16 | SCREW CHC 10 X 16 | 4 | KAWA |
| 414 | K300010803 | VIS H EMB CR 8 x 40 | SCREW H NOTCHED SHOULDER 8 X 40 | 4 | HD / BS / SUB |
| 415 | K300010801 | VIS H EMB CR 8 x 25 | SCREW H NOTCHED SHOULDER 8 X 25 | 2 | |
| 416 | 0300010822 | VIS H 8x70/22 Z CL8.8 DIN 931 | Screw HM8x70z DIN 931 - ISO 4014 | 1 | BS 850 SERIES |

*Le service après vente : s'adresser au réseau motoriste concerné

For the engine's spare parts, please contact the motor's retailers network

| Rep N° | Ref | Désignation | Description | Qté |
|--------|------------|--|---------------------------------|-----|
| 500 | KN02011903 | TÔLE ENDAINEUR GRIS RAL 7021 | GREY RAL 7021 SIDE DEFLECTOR | 1 |
| 501 | KN02011902 | BANDEAU TONDEUSE GRIS RAL 7021 | GREY RAL 7021 FRONT DEFLECTOR | 1 |
| 502 | KF02010209 | PLATINE EMBRAYAGE FREIN DE LAME | SUPPORT BRAKE & CLUTCH | 1 |
| 503 | KF02010208 | LEVIER PORTE FREIN SOUPLE SOUDE ZN | BRAKE LEVER | 1 |
| 504 | KE04020025 | ARBRE PORTE LAME OR AP CLAVETE | BLADE SHAFT | 1 |
| 505 | KE03020001 | GALET GORGE PLATE LARGEUR 24 | RUNNER | 1 |
| 506 | KE02020213 | LEVIER EMBRAYAGE FREIN SOUPLE SOUDE ZN | CLUTCH & BRAKE LEVER ZN | 1 |
| 507 | KE02020207 | ENTRETOISE GALET D'EMBR | SPACER | 1 |
| 508 | KE02020203 | PATTE GUIDAGE EMBRAYAGE ZN | CLUTCH ALIGNER | 2 |
| 509 | KE02011901 | COUPOLE GRIS ANTHACITE RAL7021 | BLADE GUARD GREY RAL 7021 | 1 |
| 510 | KE02010208 | RONDELLE EMBOUTIE PROTECTION MOYEU DE LAME | PROTECTION WASHER | 1 |
| 511 | KE01020014 | GARNITURE FREIN RIVETEE | BRAKE | 1 |
| 512 | K306010016 | ROULEMENT 6005 2 RS 25 x 47 x 12 | BEARING 6005 2 RS | 2 |
| 513 | K306010014 | ROULEMENT 6000 2 RS | BEARING 6000 2 RS | 1 |
| 514 | K305010010 | RESSORT FREIN DE LAME | SPRING FOR BRAKE | 1 |
| 515 | K305010009 | RESSORT DE RAPPEL | SPRING | 1 |
| 516 | K305010008 | RESSORT DE TRACTION | SPRING | 1 |
| 517 | K302030085 | POULIE FREIN USINEE CLAVETEE DIAM 110 | BRAKE PULLEY DIAM 110 | 1 |
| 518 | K302030012 | PALIER DE LAME | BLADE BEARING | 1 |
| 519 | K302020085 | TUBE ENTRETOISE PALIER LAME | TUBE SPACER | 1 |
| 520 | K302020028 | ENTRETOISE | SPACER | 1 |
| 521 | K301040014 | CLAVETTE 5 x 5 x 30 | KEY 5 X 5 X 30 | 1 |
| 522 | K300430801 | RONDELLE CONTACT M8 | WASHER M8 | 8 |
| 523 | K300401103 | RONDELLE PLATE 30 x 11 x 5 ZN | WASHER 30 X 11 X 5 ZN | 1 |
| 524 | K300261001 | ECROU H M10 EMB CR | NUT H M10 NOTCHED SHOULDER | 4 |
| 525 | K300260601 | ECROU H M6 Z EMB CR | NUT H M6 Z NOTCHED SHOULDER | 2 |
| 526 | K300220802 | ECROU BORGNE M8 | NUT M8 | 5 |
| 527 | K300211201 | ECROU FREIN M12 | NUT BRAKE M10 | 1 |
| 528 | K300201001 | ECROU HU M10 | NUT HU M10 | 1 |
| 529 | K300200801 | ECROU HU M8 | NUT HU M8 | 2 |
| 530 | K300090804 | VIS A GAUCHE 8 x 25 | SCREW Z 8 X 25 | 1 |
| 531 | K300090801 | PITON A OEIL | SCREW | 1 |
| 532 | K300011206 | VIS H12 x 45 | SCREW H 12 X 45 | 1 |
| 533 | K300011026 | VIS H 10 x 30 EMB CR | Screw HM 10x30 Z Emb cr | 4 |
| 534 | K300011010 | VIS HM 10 x 35 | SCREW HM 10 x 35 | 1 |
| 535 | K300010830 | VIS H 8 x 16 EMB CR | SCREW H 8 x 16 NOTCHED SHOULDER | 4 |
| 536 | K300010814 | VIS H M8 x 16 | SCREW H M8 X 16 | 2 |
| 537 | K300010802 | VIS EMB CR 8 x 20 | SCREW H NOTCHED SHOULDER 8 X 20 | 1 |
| 538 | K300010601 | VIS H 6 x 16 EMB CR | SCREW H NOTCHED SHOULDER 6 X 16 | 2 |