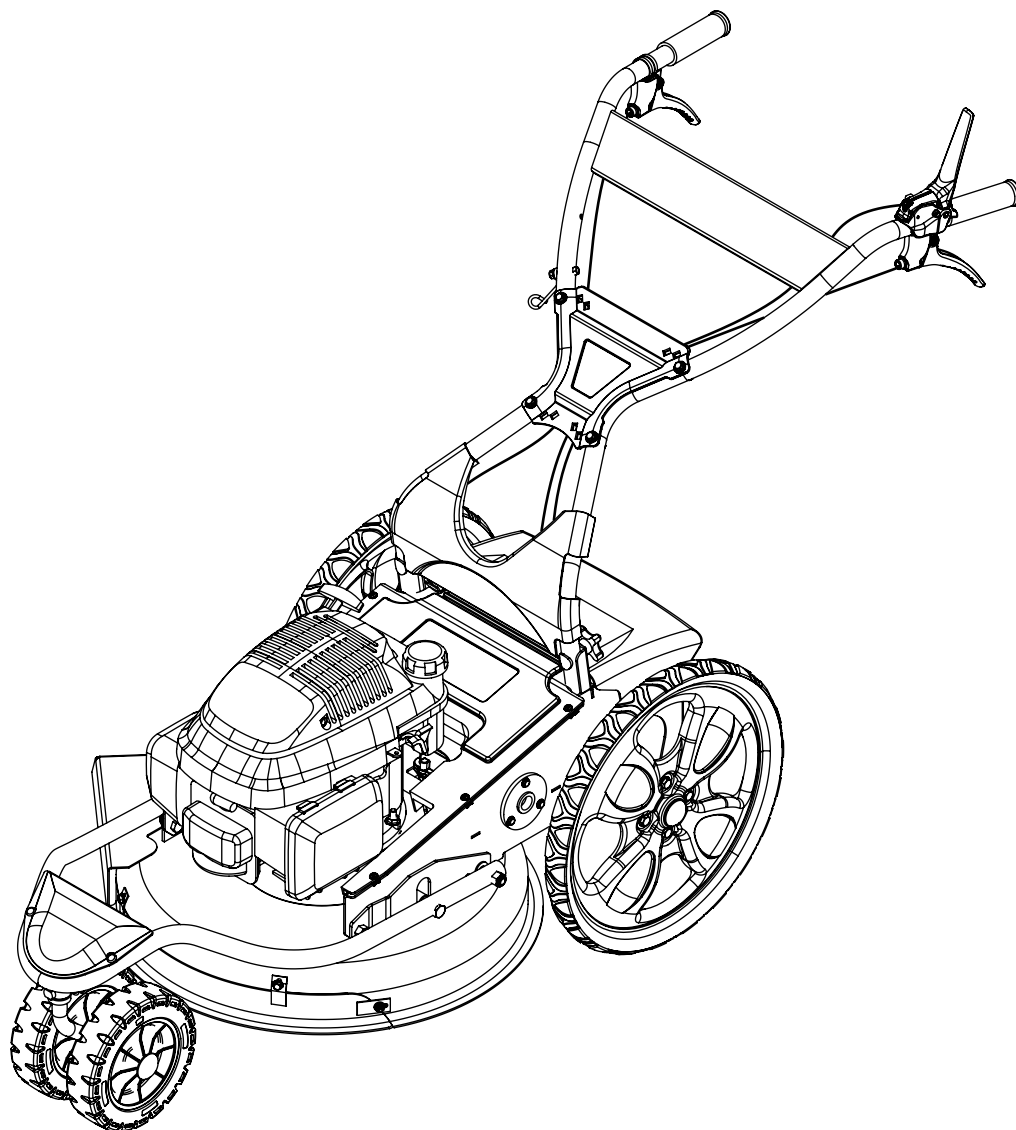
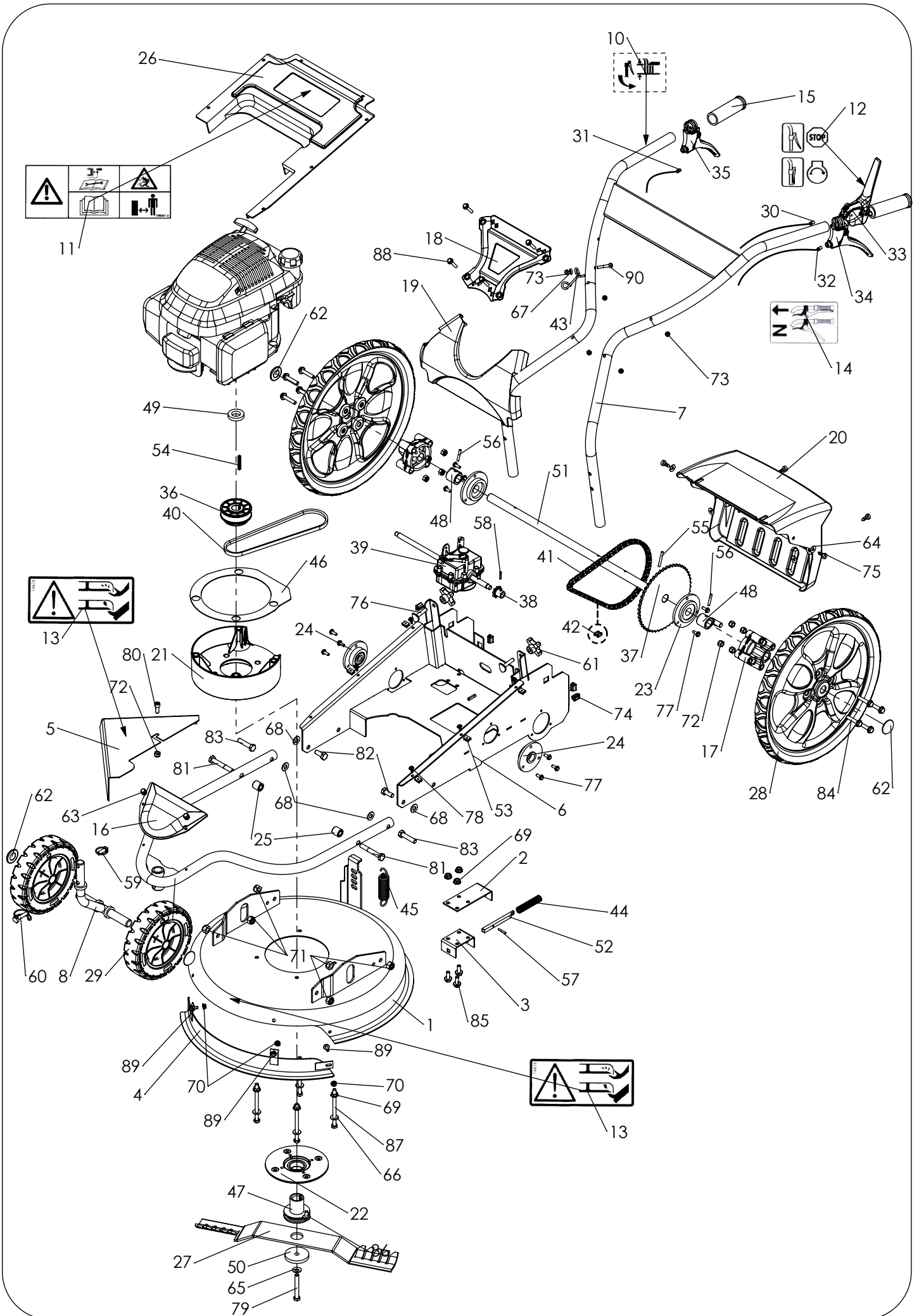


Pièces de rechange Spare parts list

4000**09**



*DEBROUSSAILLEUSE
BRUSHCUTTER*



Rep N°	Ref.	Ref.	Désignation	Description	Qte
1	4002060503	KB02021401	COUPELLE x DEB ECO V2 x Gris 8120	Grey (8120) blade guard brushcutter	1
2	4002040104	KB02020204	SUPP VERROUILLAGE RELEVAGE ECO-03 NOIR	Support locking raising	1
3	4002000102	K303020009	SUPP AXE RELEVAGEE51-03xBICHx	Locking pin support	1
4	4002000505	KB02011401	DEFLECTEUR AVANT E51 Gris (8120)	Grey (8120) Front deflector	1
5	4002000504	KB02011402	DEFLECTEUR LATERAL E51 Gris (8120)	Grey (8120) Side deflector	1
6	4002091301	KB02030601	CHASSIS ARRIERE DEB D1001 ROUGE RAL3002	BACK FRAME D1001 RED RAL3002	1
7	4002090302	KB02031601	GUIDON DEB D1001 NOIR RAL9005	Black handlebar D1001	1
8	4002000308	KB02031602	SUPP ROUE DOUBLE AVANT NOIR RAL9005	DOUBLE FRONT WHEEL SUPPORT BLACK RAL9005	1
9	4002090303	KB02031603	CHASSIS AVANT PIV D1001 NOIR RAL9005	ROTATIVE FRONT FRAME D1001 BLACK RAL9005	1
10	0503000055	K503000051	ETIQ REGL HAUT COUP xFST-XTRMx	Height cutting label	1
11	0503000049	K503000029	PRECAUTIONS D'EMPLOI 65 X 175	Safety instructions label	1
12	0503000026	K503000044	ETIQ MANETTE COUPE CIRCUIT	Engine brake label	1
13	0503000006	K503000030	AUTO-COLLANT DANGER LAME 78 X	Label "danger sticker"	2
14	0503000002	K503000040	AUTO-COLLANT EMBRAY DEBRAY M Av	Foward movement stricker	1
15	0341000037	K307020017	POIGNEE PLASTIQUE DIAM 25 CB	HAND SIDE GRIP	2
16	0340030052	K340000063	CAPOT CHASSIS AVANT D1001 ROUGE RAL3001	FRONT FRAME COVER D1001 RED RAL3001	1
17	0340030050	K340000062	MOYEU DE ROUE D1001 NOIR RAL9005	Black RAL9005 D1001 wheel hub	2
18	0340030049	K340000064	CACHE CENTRAL GUIDON D1001 NOIR RAL9005	HANDLEBAR CENTRAL COVER D1001 BLACK RAL9005	1
19	0340030048	K340000065	CAPOT INFERIEUR GUIDON D1001 ROUGE RAL3001	HANDLEBAR LOWER COVER D1001 RED RAL3001	1
20	0340030047	K340000066	CAPOT ARRIERE D1001 ROUGE RAL3001	BACK COVER D1001 RED RAL3001	1
21	0340030034	K340000025	REHAUSSE MOTEUR XTREM-FIRST	Plastic engine raiser	1
22	0340030028	K340000026	PALIER COUPELLE XTREM/FIRST	Flange bearing	1
23	0340030013	K306010003	PALIER ARBRE ROUE DIAM 20	Wheel flange bearing	2
24	0340030012	K340000067	PALIER ARBRE INTERMEDIAIRE xDEB ECOx	Countershaft bearing Ø10 Deb	2
25	0340030010	K340000068	ENTRETOISE COUP E51 10.5x20 LG21 PA6.6	Blade guard spacer E51	2
26	0340030001	K340000069	CAPOT MOTEUR FIRST	Black motor bonnet	1
27	0320020006	K320020019	LAME LG 510 DEP 30 E51 PROV2	Blade	1
28	0309000034	K309000040	ROUE DIAM 425 NOIR JANTE TOLE	Black wheel Ø425 sheet rim	2
29	0309000033	K309000036	ROUE RT DIAM200 ALS 20	RT wheel Ø200 bore 20	2
30	0308050015	K308020034	CABLE FREIN MOT LG1185 CF55 MANETTE LASC EMBOUT CLIP	ENGINE BRAKE CABLE LG1185 S55 LASC LEVER CLIP END	1
31	0308030008	K308030011	CABLE REGL HAUT LG1180 CF81 MAN LAB EMBOUT CLIP COUDE 135°	HEIGHT SET CABLE LG1180 S81 LAB LEVER 135° CURVED END	1
32	0308020062	K308010030	CABLE EMBRAYAGE LG1210 CF138 MANETTE LAB EMBOUT METALLIQUE	CLUTCH CABLE LG1210 STROKE138 LAB LEVER METALLIC END	1
33	0307010023	K307010015	LEVIER FREIN MOTEUR LASC 05 R 00 Course 20 Guidon 25mm	Brake lever LASC Ø25 stroke 20mm	1
34	0307010021	K307010023	LEVIER EMB LAB D7 B01 Course 30 Guidon D25mm	LEVER LAB D25 STROKE 30 Handlebar D25mm	1
35	0307010020	K307010024	LEVIER EMB LAB C7 B01 Course 25 Guidon D25mm	LEVER LAB D25 STROKE 25 Handlebar D25mm	1
36	0306060014	K306040022	POULIE MOTEUR VARIATRICE D22.2 FLASQUE MOBILE ALU	Variation motor pulley Ø22.2	1
37	0306050029	K306050028	PIGNON 60 DENTS 9.525 alés 20mm	Pinion 60 teeth 9.525 x 5.3	1
38	0306050028	K306050029	PIGNON 9 DENTS 9.525 alés 12mm	Sprocket 9 teeth 9.525 x 5.3	1
39	0306040012	K306040025	REDUCTEUR x DEB ECO V2-06 x Type 4002	Reduction gearbox 4002 brushcutter	1
40	0306030048	K306030046	COURROIE 6207MC x DEB ECO V2	Fanbelt 6207 MC Gates	1
41	0306020020	K306020021	CHAINE ISO 06B-1 pas 9.525mm 75 maillons +MCS à goupille mo	Chain ISO 06B-1 pitch 9.525 75 links +offset link + connecting links	1
42	0306020001	K003030006	ATTACHE RAPIDE 9.525 N 10..06B	Quick fastener (9.525)	1
43	0305030001	K305000022	ACCROCHE LANCEUR xE51-03x	Starter Hook	1
44	0305020001	K305020001	RESSORT CP 13,4x75 16/10	Locking spring	1
45	0305010009	K305010002	RESSORT TR RELEVAGE E51 35/10	High adjustment spring	1
46	0304000313	KB02031604	REHAUSSE MOTEUR EP1.5 FIRST D1001	ENGINE RAISER THICKNESS1.5 FIRST D1001	1
47	0302030047	K302030082	MOYEU LAME E51ProV2	Blade hub	1
48	0302030014	K340000008	MOYEU ROUE INTERIEUR xE51x	Wheel hub E51	2
49	0302020046	K302020019	ENTRETOISE 40x22x8 MOTEUR BS/EA190V	Spacer 40 x 22 x 8	1
50	0302020042	K302020047	RONDELLE DE SERRAGE E 51	Blade washer	1
51	0302010091	K302010090	ARBRE ROUE x DEB ECO V2	Wheel shaft Deb ECO V2	1
52	0302010030	K302010056	AXE RELEVAGE xE51-03xBICHx	Locking pin	1
53	0301050001	K300230401	CLIPS PRESTOLE Z/VIS 4.2 EP 4	CLIPS 4.2	5
54	0301040001	K301040002	CLAVETTE 4.76X4.76X40 BTS DRO TOL h 9 - XC 48	KEY 4.76X4.76X40 DRO TOL h 9 - XC 48	1
55	0301020005	K301090007	GOUPILLE HBK 5x40	Pin Ø5x40 HBK	1
56	0301020004	K301020001	GOUPILLE HBK 5x30 ISO 8748ST	Pin Ø5x30 HBK	2
57	0301020002	K301090001	GOUPILLE HBK 4x24	Cotter-pin 4x24 HBK	1
58	0301020001	K301090003	GOUPILLE HBK 4x20 ISO 8748ST	Pin Ø4x20 HBK	1
59	0301010015	K301050003	GOUPILLE CLIPS 8X25 ANNEAU	Clips pin	1
60	0301010013	K003000307	GOUPILLE CLIPS 8 x 36	CLIP PIN D8 x 36	1
61	0300800801	K300800803	POIGNEE SERRAGE 4 BRANCHES 50 NOIR M8 FEMELLE DEBOUCHANT	TIGHTENING HANDLE 50 BLACK M8 FEMALE	2
62	0300702001	K300702001	ENJOLIVEUR DIAM 20 CAB 20/38	Trim stopper Ø20	4
63	0300500501	K301000014	RIVET AC AL4.8x16 TETE PLATE NOIR	RIVET AC AL4.8x16 FLAT HEAD BLACK	2
64	0300470501	K300090501	RONDELLE NOIR PA6.6 QUICKLOCK SERIE60	BLACK PA6.6 WASHER QUICKLOCK SERIE60	4
65	0300431001	K300431001	RONDELLE CONTACT 10 BIC NFE 25-511	Elastic washer 10 Bic	1
66	0300430801	K300430801	RONDELLE CONTACT M8 NF E 25511	CONTACT WASHER 8	4
67	0300430601	K300430601	RONDELLE CONTACT 6 BIC NFE 25-511	CONTACT WASHER 6	1
68	0300401002	K300401001	RONDELLE PLATE M 10X22X2 Z NFE 27611	PLATE WASHER M 10X22X2 Z NFE 27611	4

Rep N°	Ref.	Ref.	Désignation	Description	Qte
69	0300260801	K300260801	ECROU HM 8 ZEMB CR DIN 6923-8	NUT H M8 Z NOTCHED SHOULDER	7
70	0300260601	K300260601	ECROU HM 6 ZEMB CR DIN 6923	NUT H M6 Z NOTCHED SHOULDER	3
71	0300211001	K300211001	ECROU FREIN M 10 Z DIN 985/8	BLOCKING NUT M 10 Z	6
72	0300210802	K300210801	ECROU FREIN M 8 Z DIN 985/8	BLOCKING NUT HM 8 Z DIN 985/8	9
73	0300210602	K300210601	ECROU FREIN M 6 Z DIN 985-8	BLOCKING NUT M 6 Z	5
74	0300130502	K300090502	ECROU ACIER 14x16 POUR VIS IMP QUICKLOCK SERIE60	STEEL NUT 14X16 QUICKLOCK SERIE60	4
75	0300130501	K300090503	VIS PLAST IMP 1/4 TR D16 H5 d5 QUICKLOCK SERIE60	CAPTIVE PLASTIC SCREW 1/4TR QUICKLOCK SERIE60	4
76	0300090802	K300090806	VIS M8x40 Z TETE EMBOUTIE	Screw M8x40 Z forged head bolt	2
77	0300090602	K300090603	VIS AUTOTAR TH A EMB 6 X 16 Z	Screw HM6x16 z Self-tapping	12
78	0300080405	K300070401	VIS TOLE TETE POELIER D11 POZI Cr 4.2X16 Z	SCREW POZI 4.2X16Z	5
79	0300060304	K300060301	VIS 3/8 TH24 UNF LG 70 Z	Screw 3/8 TH24 UNF Lg70	1
80	0300020804	K300020807	VIS CHC 8 X 20 Z	Screw CHC M8x20 z	1
81	0300011011	K300011014	VIS H 10X70/26 Z DIN 931/6.8	Screw H M10x70 z	2
82	0300011008	K300011009	VIS H 10 X25 Z DIN 933/8/8	SCREW H M10x25 Z	2
83	0300011005	K300011027	VIS H 10 X 45 Z DIN 933/6.8	SCREW H 10 X 45 Z DIN 933/6.8	2
84	0300010817	K300010803	VIS H 8x40 Z EMB CR DIN 6921	SCREW H M8 X 40	8
85	0300010816	K300010802	VIS H 8x20 Z EMB CR	SCREW H M8X20 Z NOTCHED SHOULDER CL 8.8	3
86	0300010815	K300010830	VIS H 8x16 Z EMB CR DIN 6921 CL 6.8	SCREW H M8X16 Z NOTCHED SHOULDER CL 6.8	4
87	0300010804	K300010833	VIS HM8x110/22Z ISO 4014 CL8.8	Screw HM 8x110 z	4
88	0300010621	K300010625	VIS H 6x35 Z EMB CR DIN 6921	SCREW H 6x35 Z DIN 6921	4
89	0300010609	K300010601	VIS H 6x16 Z EMB CR DIN 6921	SCREW HM 6X16 Z NOTCHED SHOULDER	3
90	0300010604	K300010621	VIS H 6 X 35 Z NFE 24017 CL6.8	Screw HM6x35z	1